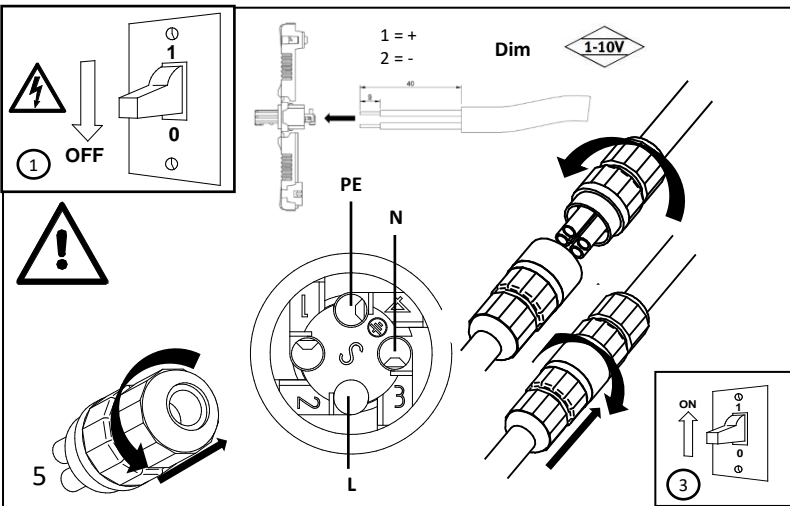
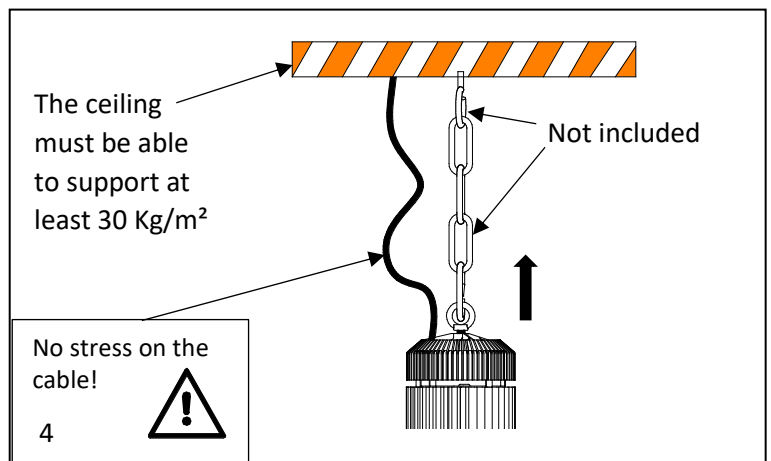
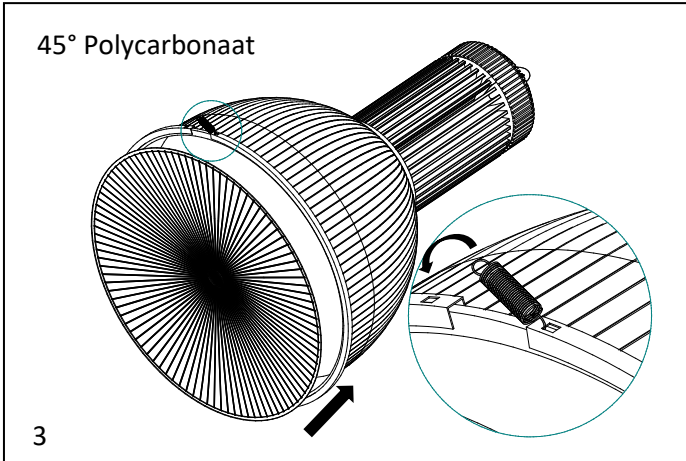
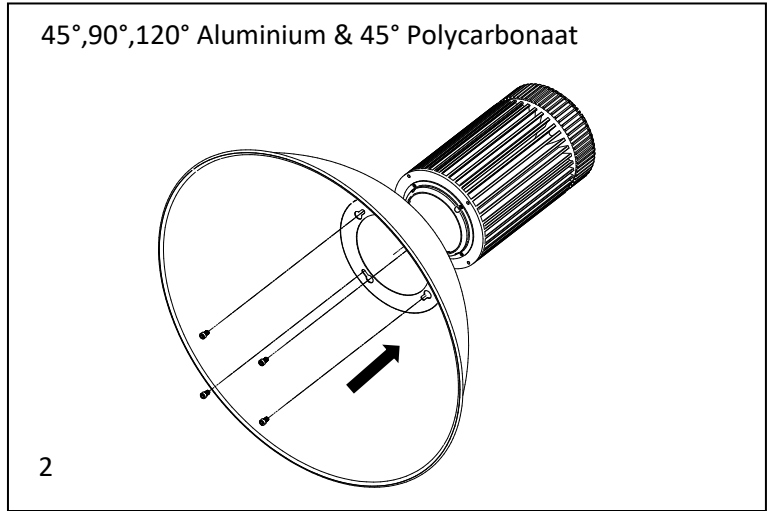


Dimensions: mm	120W		150W		C	D	E
	A	B	A	B			
45° Aluminium	275	525	325	575	152	415	External = $\varnothing 40$ Internal = $\varnothing 24$
45° Polycarbonaat	275	525	325	575	152	415	External = $\varnothing 40$ Internal = $\varnothing 24$
90° Aluminium	275	465	325	515	152	510	External = $\varnothing 40$ Internal = $\varnothing 24$
120° Aluminium	275	415	325	465	152	495	External = $\varnothing 40$ Internal = $\varnothing 24$

Warning!

- The dim line must always be double isolated!
- Don't look directly in to the light source!



Technical data		
	120W	150W
Nominal power	120W	150W
Nominal voltage	90...305 VAC	90...305 VAC
Nominal current	0,5A / 230 VAC	0,78A / 230 VAC
Nominal frequency	47-63 Hz	47-63 Hz
Power factor	0,96 / 230 VAC	0,95 / 230 VAC
Light output	15.000 lm	20.000 lm
IP rating	IP40	IP40
Units per circuit breaker	4	4
Weight	4,6 kg	5,0 kg