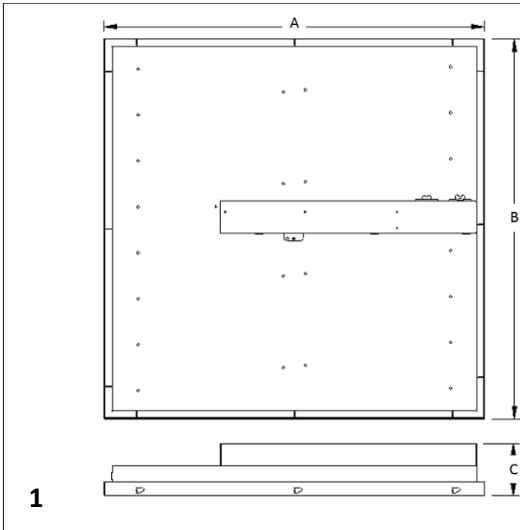




Installation manual WinLed Office

| Technical data | | |
|---------------------------------|------------|------------|
| Nominal power | 31 W | 41W |
| Nominal voltage | 220...240V | 220...240V |
| Nominal current | 0,14 A | 0,23A |
| Nominal frequency | 0/50/60 Hz | 0/50/60Hz |
| Power factor | 0,95 | 0,97 |
| Light output | 3600 lm | 5000lm |
| IP rating | IP40 | IP40 |
| Units per circuit breaker | 28 | 28 |
| 1-10V units per circuit breaker | 48 | - |
| Dali units per circuit breaker | 30 | 13 |
| Weight | 4,3 kg | 4,3kg |

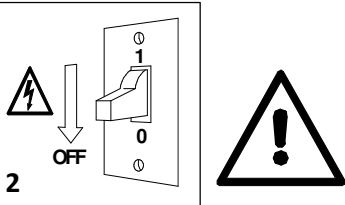
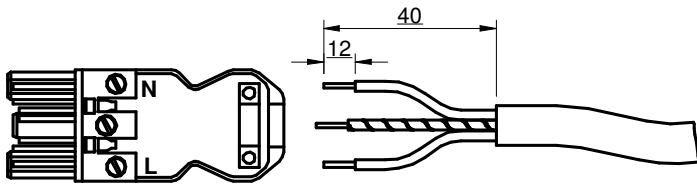


| Dimensions (mm) | A | B | C |
|-----------------|------|-----|----|
| | 596 | 596 | 98 |
| | 1196 | 296 | 98 |

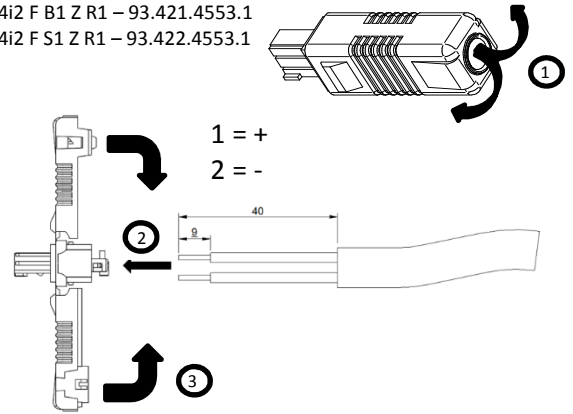
Warning!

- When looping I_{max} = 16A
- Do not cover with isolation!
- Light source not replaceable
- Bij doorlussen I_{max} = 16A
- Niet bedekken met isolerend materiaal!
- Lichtbron niet vervangbaar

GST18i3 S B1 Z R1 – 92.931.3053..
 GST18i3 S S1 Z R1 – 92.932.3053..



BST14i2 F B1 Z R1 – 93.421.4553.1
 BST14i2 F S1 Z R1 – 93.422.4553.1



3

Dim

