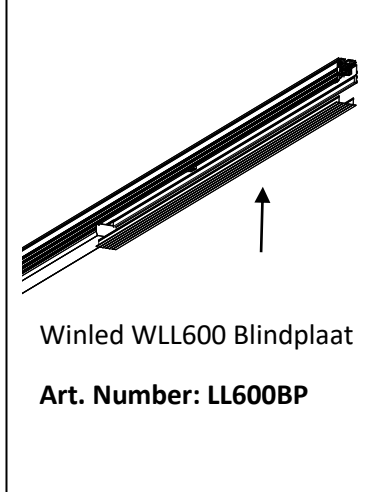
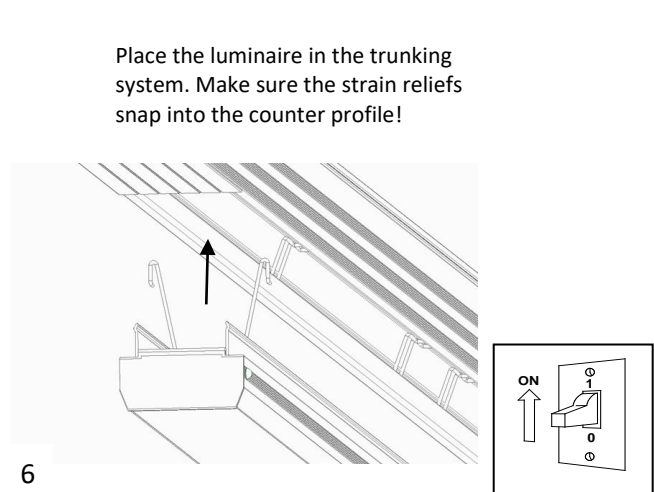
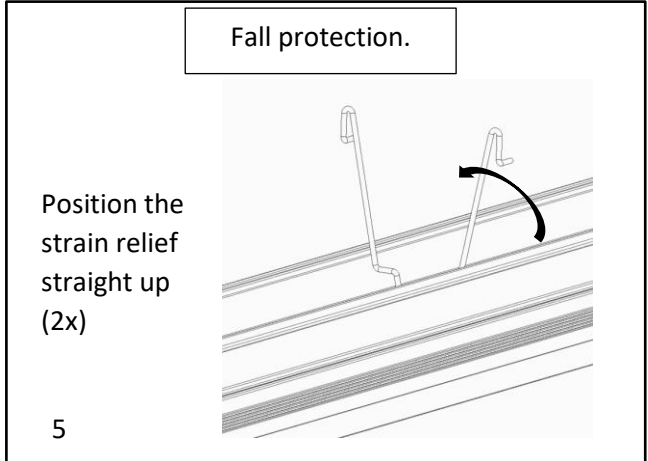
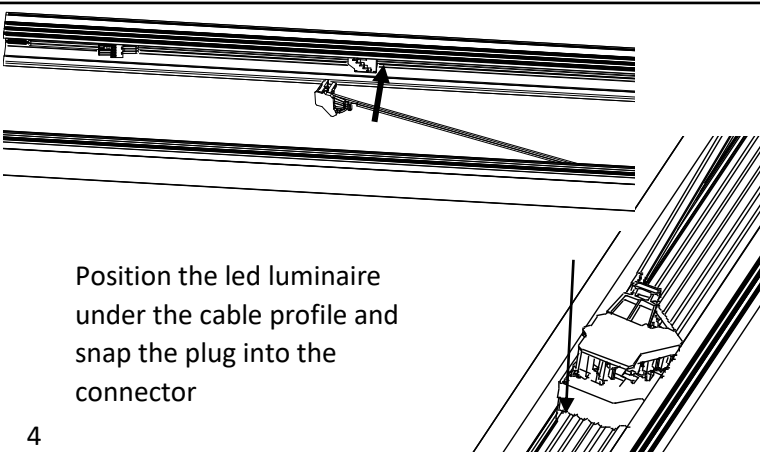
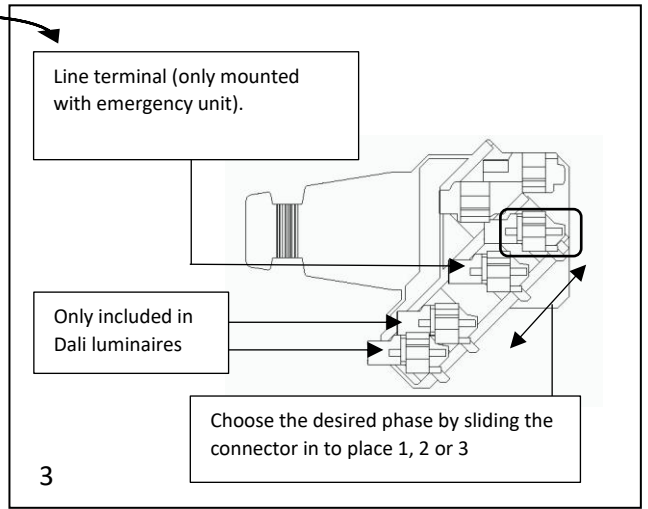
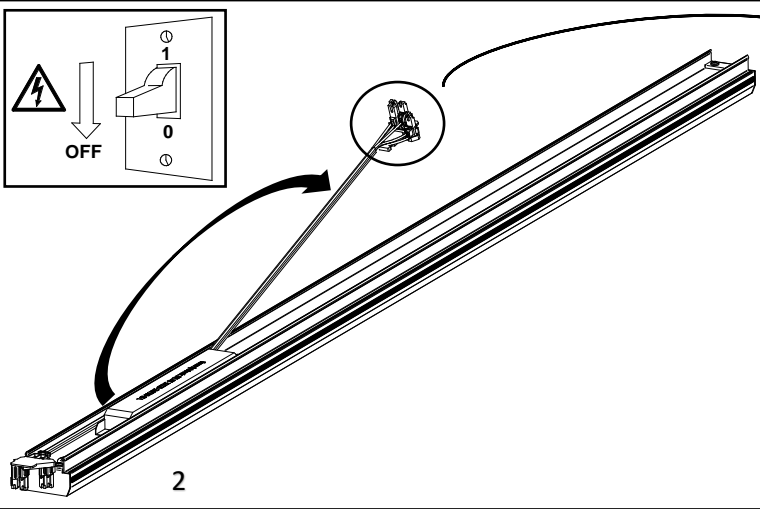
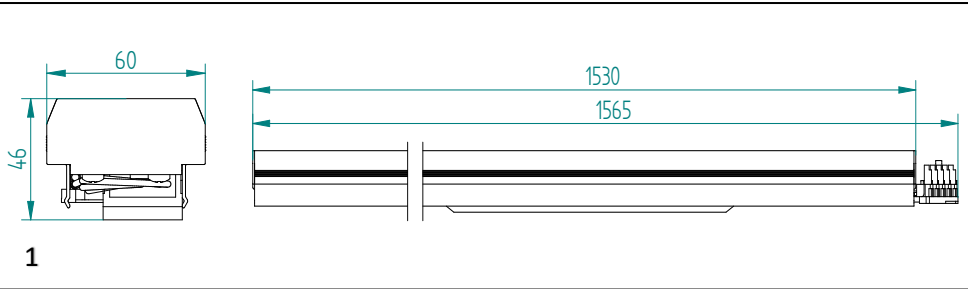


Installation manual WinLed Skyline

Warning!

- When looping I_{max} = 16A.
- Light source not replaceable.
- Make sure the Line and Neutral are connected in the corresponding terminals, otherwise the emergency unit (if used) may not function properly.

Technical Data	LL01	LL09	LL10	LL09 (25°)	LL10 (25°)	LL15 (25°)
Nominal power	35 W	55W	85W	55W	85W	120W
Nominal voltage (V)	220...240	220...240	220...240	220...240	220...240	220...240
Nominal current	0,17 A	0,24 A	0,375 A	0,24 A	0,375 A	0,52 A
Nominal frequency	0/50/60 Hz	0/50/60 Hz	0/50/60 Hz	0/50/60 Hz	0/50/60 Hz	0/50/60 Hz
Power factor	0,96	0,97	0,98	0,97	0,98	0,98
Light output	4300 lm	7200 lm	10000 lm	7500 lm	11000 lm	15000lm
IP rating	IP40	IP40	IP40	IP40	IP40	IP40
Units / circuit	28	13	13	13	13	13
Dali units / circuit	30	13	13	13	13	13
Weight	2,0 kg	2,0 kg	2,0 kg	2,0 kg	2,0 kg	2,5 kg



Emergency lighting.

- LED interrupted flashing RED = Faulty lamp.
- LED continous flashing RED = Battery fault.
- LED permanent green = No fault
- LED off = Faulty unit