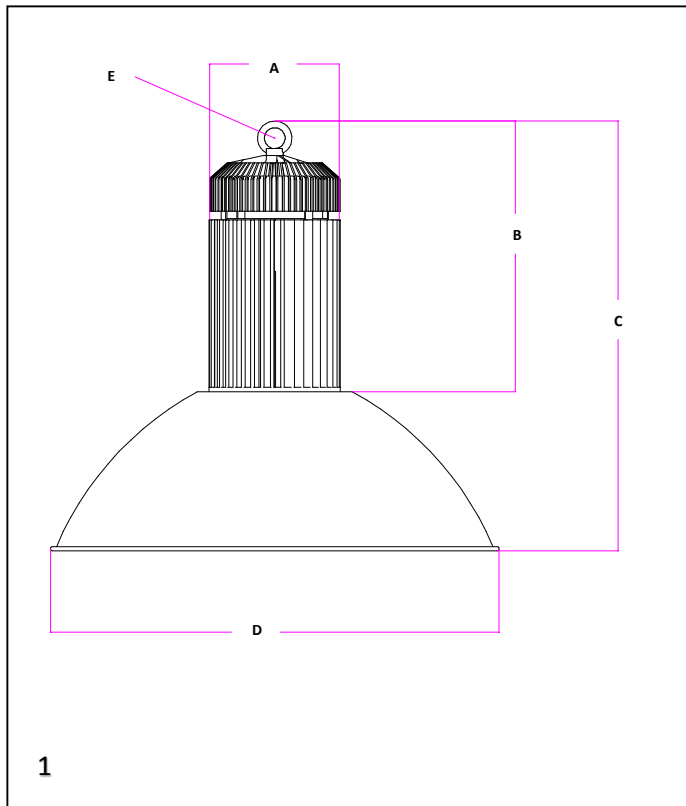


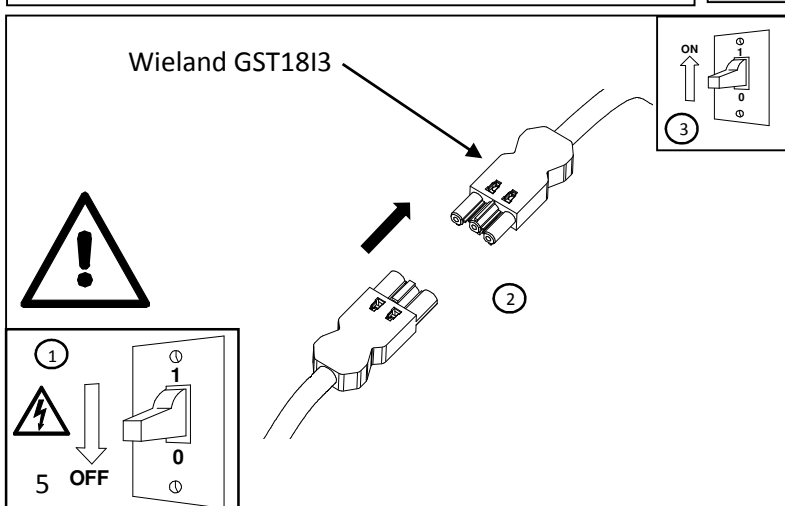
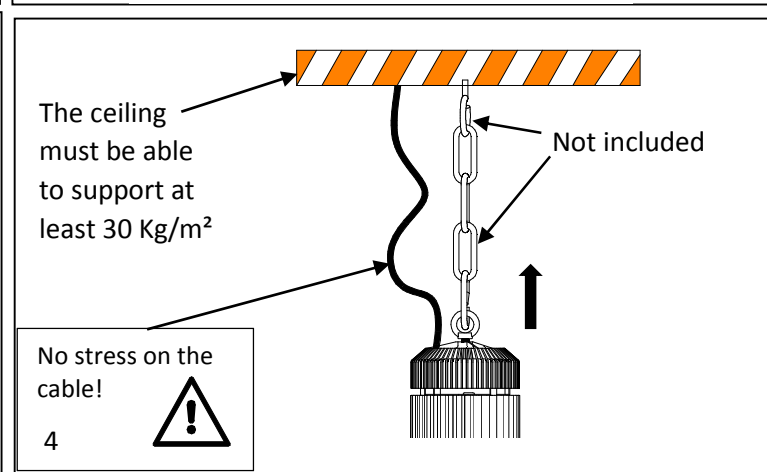
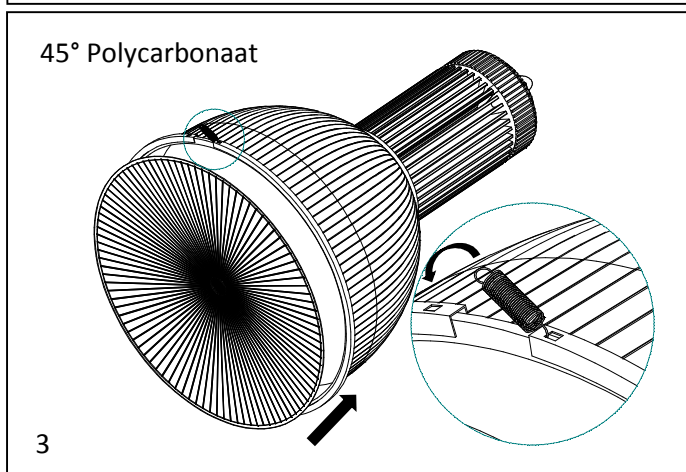
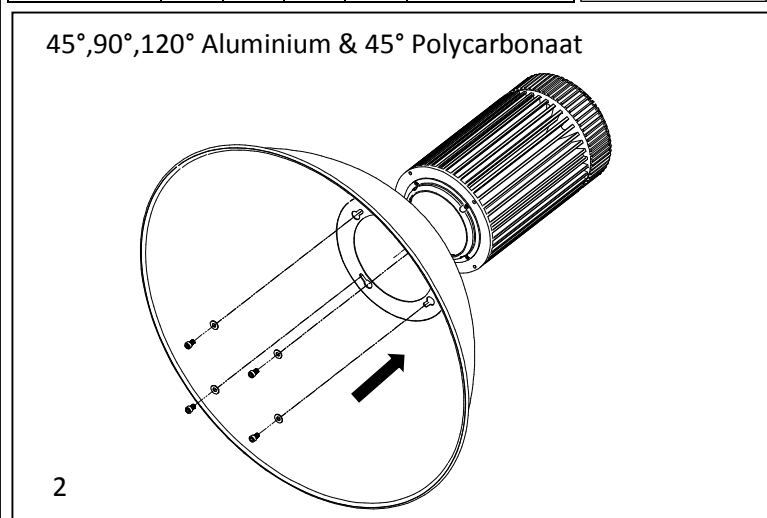
## Installation manual WinLed Highbay



Dimensions: mm	A	B	C	D	E
45° Aluminium	152	325	575	250	External = $\varnothing 40$ Internal = $\varnothing 24$
45° Polycarbonaat	152	325	595	270	External = $\varnothing 40$ Internal = $\varnothing 24$
90° Aluminium	152	325	515	190	External = $\varnothing 40$ Internal = $\varnothing 24$
120° Aluminium	152	325	475	150	External = $\varnothing 40$ Internal = $\varnothing 24$

**Warning!**

- The dim line must always be double isolated!
- Don't look directly in to the light source!



Technical data		
	130W	160W
Nominal power	130W	160W
Nominal voltage	90...305 VAC	90...305 VAC
Nominal current	0,5A / 230 VAC	0,78A / 230 VAC
Nominal frequency	47-63 Hz	47-63 Hz
Power factor	0,96 / 230 VAC	0,95 / 230 VAC
Light output	15.000 lm	20.000 lm
IP rating	IP40	IP40
Units per circuit breaker	4	4
Weight	5,0 kg	5,0 kg