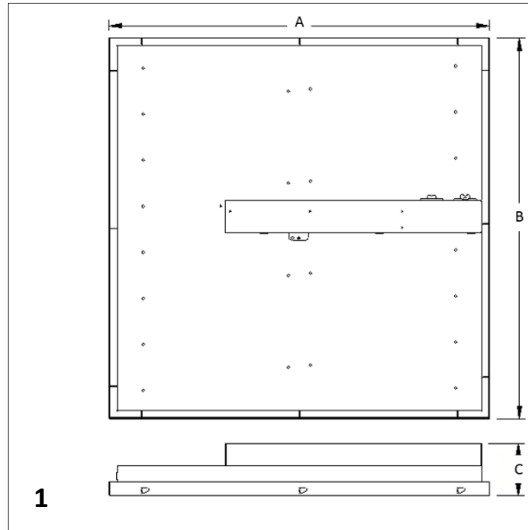


Installation manual WinLed Office

Technical data	
Nominal power	31 W
Nominal voltage	220...240V
Nominal current	0,14 A
Nominal frequency	0/50/60 Hz
Power factor	0,95
Light output	3800 lm
IP rating	IP20
Units per circuit breaker	28
1-10V units per circuit breaker	48
Dali units per circuit breaker	30
Weight	4,3 kg

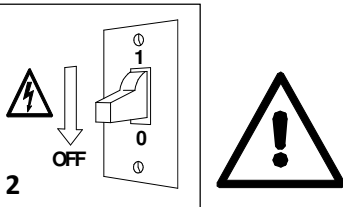
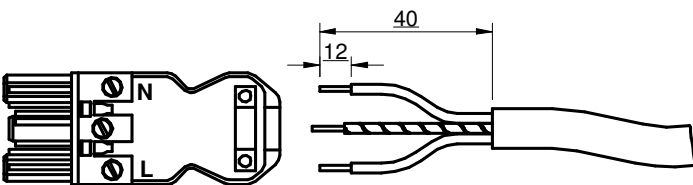


Dimensions (mm)	A	B	C
	596	596	98
	1196	296	98

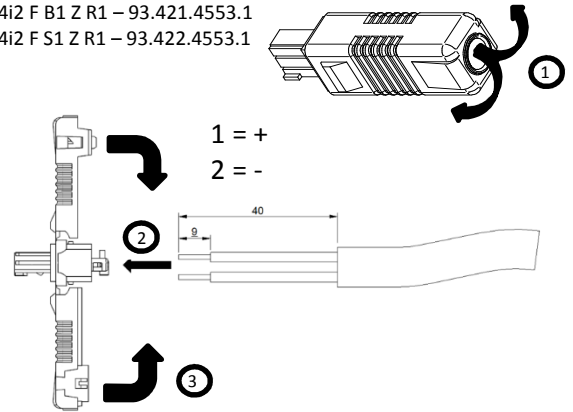
Warning!

- When looping I_{max} = 16A
- Do not cover with isolation!
- Light source not replaceable
- Bij doorlussen I_{max} = 16A
- Niet bedekken met isolerend materiaal!
- Lichtbron niet vervangbaar

GST18i3 S B1 Z R1 – 92.931.3053..
 GST18i3 S S1 Z R1 – 92.932.3053..



BST14i2 F B1 Z R1 – 93.421.4553.1
 BST14i2 F S1 Z R1 – 93.422.4553.1



Dim

